

Kroy **INDUSTRIES, INC.**



The Leading Manufacturer of
Quality Back Flow Preventers

kroyMidwest

"The Leading Manufacturer of Quality Back Flow Preventers"

kroyMidwest Valves are designed and built for ruggedness in the field. With normal use and maintenance the kroyMidwest valve will give you years of service as a back flow preventer.

kroyMidwest offers many optional valves, manufactured to meet state requirements and your particular application. Your nearest kroyMidwest distributor can design, supply, and install a quality kroyMidwest Chemigation Valve using our Flanged Wyes, Spools, Tees and other accessories. CVMW Models are available in 6", 8", 10", & 12".

We provide quality at a competitive price.

1. INSPECTION PORT

5" diameter with 1 1/2" FIPT, positioned directly above the low pressure drain. Allows a larger area to service the valve. Also incorporates a ring band lock for quick access. Optional Item.

2. DISC

High quality chemical resistant resilient rubber completely encapsulating a steel disc. Non-slam, immediate sealing.

3. LINKAGE

Non-corrosive, stainless steel spring and mechanism. Provides instantaneous back flow prevention.

4. DAM

5/8" steel water dam allows for collection of liquid to the low pressure drain, allowing the area to completely drain.

5. AIR RELIEF VENT

2" cast aluminum with a ball check.

6. MANUAL DRAIN

1/2" FIPT with plug allows operator to winterize the valve with ease.

7. STEEL FLANGE

1/2" 150 lbs ASA rated steel flange allows for greater stress on the valve.

8. LOW PRESSURE DRAIN

Made of high impact chemical resistant plastic. 1 1/2" MIPT inlet with 3/4" MIPT outlet, 1" ID body, spring loaded plunger with rubber "O" ring. 5 psi closing pressure.

9. BODY

Heavy gauge steel hot dipped galvanized or dry powder epoxy coated.

10. FRESH WATER PORT

3/4" FIPT allows operator to draw clean water before chemical is injected into the main stream.

11. PRESSURE RATED

All valves certified at 300 psi, rated at 150 psi.

12. INJECTION PORT

3/4" FIPT positioned at 45°, for a better injection into the water profile.

13. LABEL

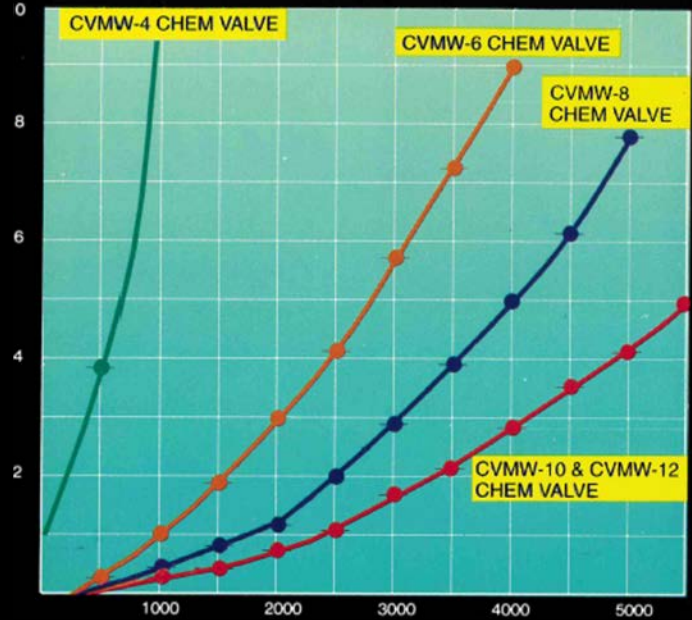
Valve labeled with manufacturer's name, model, working pressure, maximum recommended flow and the direction of flow.

14. TESTING

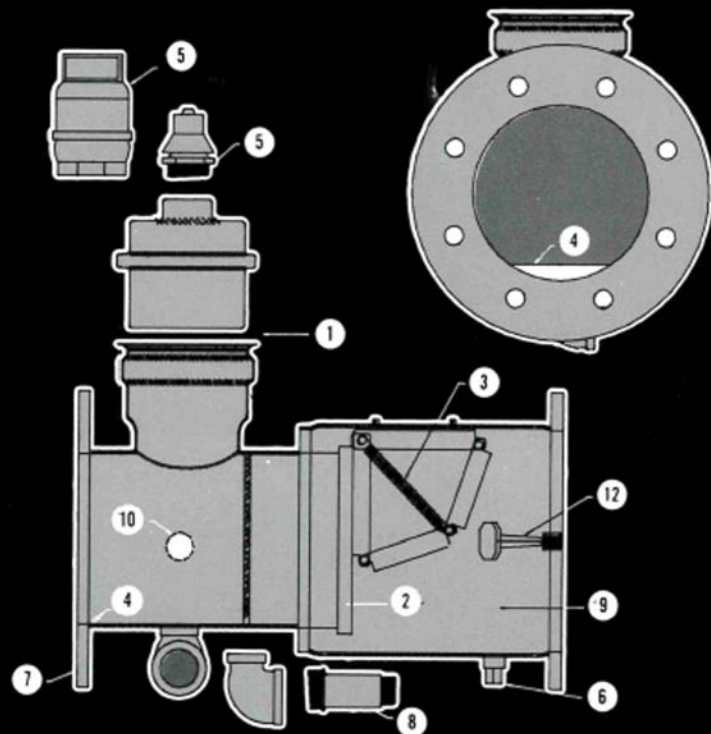
Valves are tested prior to delivery guaranteeing the performance of each valve.

"Full Service Irrigation Specialists Since 1954"

HEADLOSS (feet)



FLOW RATE (gpm)



kroyMidwest

MODEL - CVMW
MAX. 150 P.S.I.
MAX. 1200 G.P.M.
DIRECTION OF FLOW
→

LABEL PICTURED AT LEFT APPEARS ON EACH VALVE. RECOMMENDED MAXIMUM FLOW RATE WILL VARY WITH SIZE.

Kroy
INDUSTRIES, INC.

www.kroyind.com

P.O. Box 309 - 522 W. 26th Street - York, NE 68467

Phone: (402)362-6651 - Watts (888)477-5769

Fax: (402)362-6566 - Email: mail@kroyind.com

✓ Black Steel

✓ Galvanized Steel

Available in 6", 8", 10", & 12"
(12" has a 10" body)



Heavy Duty Steel

Certified at 300 psi for one minute & sixteen hour leakage test. Rated at 150 psi. All discs may be replaced if flange is attached to one end.

CHEMIGATION VALVES

Pressure Rated

All valves certified at 300 psi, rated at 150 psi.

Guaranteed

Guaranteed performance of each valve.

Linkage

Non-corrosive, stainless steel spring and hinge assembly provide instantaneous back flow prevention.

Body

Heavy gauge steel is hot-dipped galvanized.

Steel Flange

1/2" 150 lb. ASA rated steel flange.



Disc

High quality, resilient rubber completely encapsulates steel disc.

Air Relief Vent

2" cast aluminum with a ball check.

Kroy Industries, Inc

P.O. Box 309

522 W. 26th Street

York, NE 68467

www.kroyind.com

Phone: (402)362-6651

Watts: (888)477-5769

Fax: (402)362-6566

Email: mail@kroyind.com

Kroy Industries offers more ends for valves or tubing in both steel and aluminum than anyone in the industry!

We also manufacture adapters for all fittings



Watertight



Flanged Adapter



Circle Lock



Plain End



Male & Female Thread



Kroy Lever-Loc



Flange



Grooved End

Ends available in any combination for your application requirements.

Kroy also offers steel and aluminum hose barbs for your hose connection



Your Only "Single Source" For Aluminum and PVC Pipe & Fittings